



FAKULTAS SENI RUPA
INSTITUT SENI INDONESIA
YOGYAKARTA

JURUSAN DESAIN

PROGRAM STUDI
DESAIN INTERIOR

TUGAS AKHIR
KARYA DESAIN

PERANCANGAN INTERIOR
PT. NIPPON STEEL AND SUMIKIN
BATAM
KEPULAUAN RIAU

GAMBAR	SKALA
--------	-------

LAYOUT	1 : 100
--------	---------

NAMA / NIM

BELLA AGNESYA DWITA P. - 161 0175 123

DOSEN PEMBIMBING

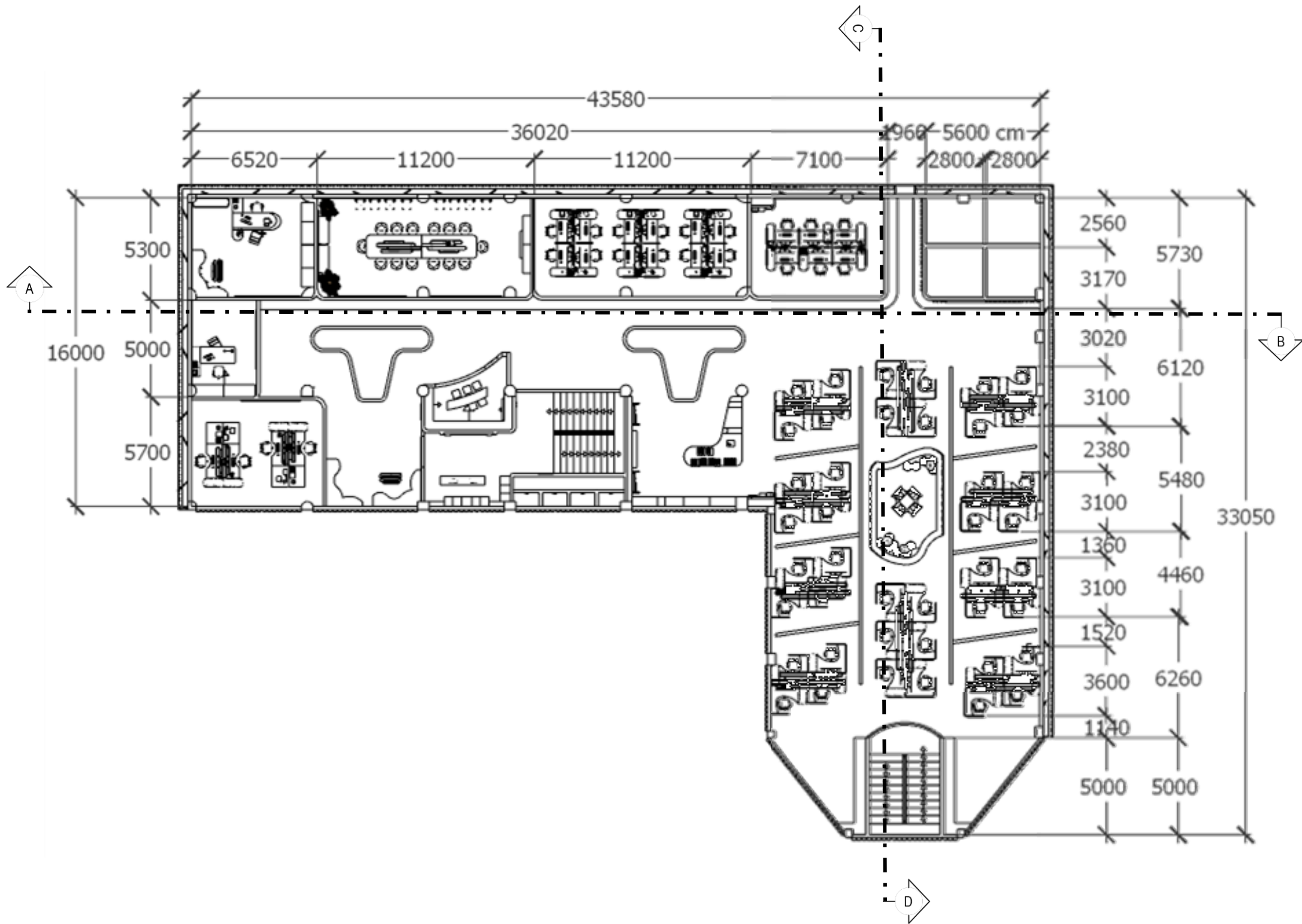
M. Sholahuddin, S.Sn. M.Ds
NIP 19701019 199903 1 001

Octavianus Cahyono P. ST. M.Arch
NIP 19701017 200501 1 001

KODE	KODE LEMBAR	LEMBAR KE
		01

CATATAN

NILAI





FAKULTAS SENI RUPA
INSTITUT SENI INDONESIA
YOGYAKARTA

JURUSAN DESAIN

PROGRAM STUDI
DESAIN INTERIOR

TUGAS AKHIR
KARYA DESAIN

PERANCANGAN INTERIOR
PT. NIPPON STEEL AND SUMIKIN
BATAM
KEPULAUAN RIAU

GAMBAR SKALA

RENCANA LANTAI 1 : 100

NAMA / NIM

BELLA AGNESYA DWITA P. - 161 0175 123

DOSEN PEMBIMBING

M. Sholahuddin, S.Sn. M.Ds
NIP 19701019 199903 1 001

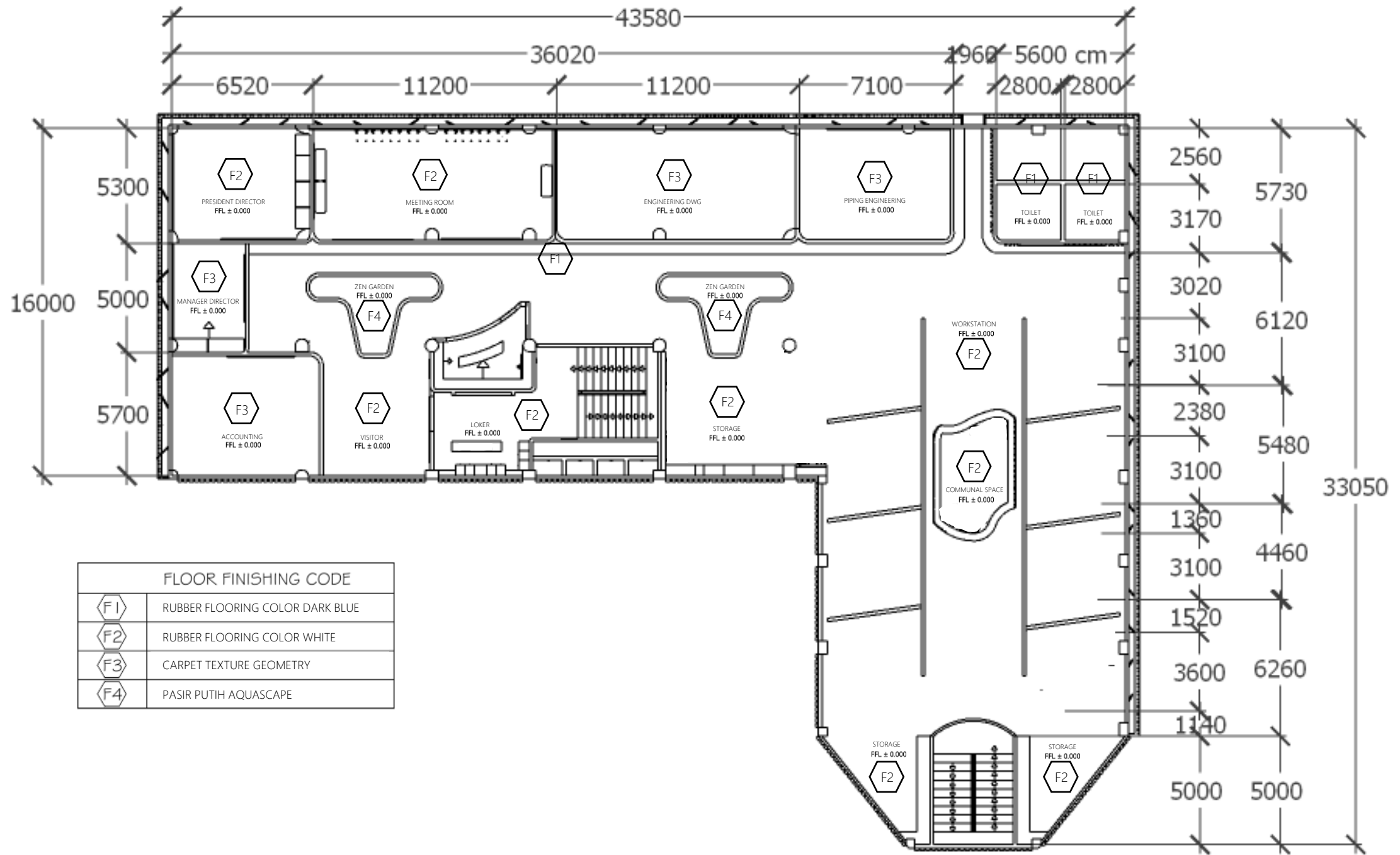
Octavianus Cahyono P. ST. M.Arch
NIP 19701017 200501 1 001

KODE KODE LEMBAR LEMBAR KE

01

CATATAN

NILAI



FLOOR FINISHING CODE	
F1	RUBBER FLOORING COLOR DARK BLUE
F2	RUBBER FLOORING COLOR WHITE
F3	CARPET TEXTURE GEOMETRY
F4	PASIR PUTIH AQUASCAPE



FAKULTAS SENI RUPA
INSTITUT SENI INDONESIA
YOGYAKARTA

JURUSAN DESAIN

PROGRAM STUDI
DESAIN INTERIOR

TUGAS AKHIR
KARYA DESAIN

PERANCANGAN INTERIOR
PT. NIPPON STEEL AND SUMIKIN
BATAM
KEPULAUAN RIAU

GAMBAR

SKALA

POTONGAN
A & B

1 : 100

NAMA / NIM

BELLA AGNESYA DWITA P. - 161 0175 123

DOSEN PEMBIMBING

M. Sholahuddin, S.Sn. M.Ds
NIP 19701019 199903 1 001

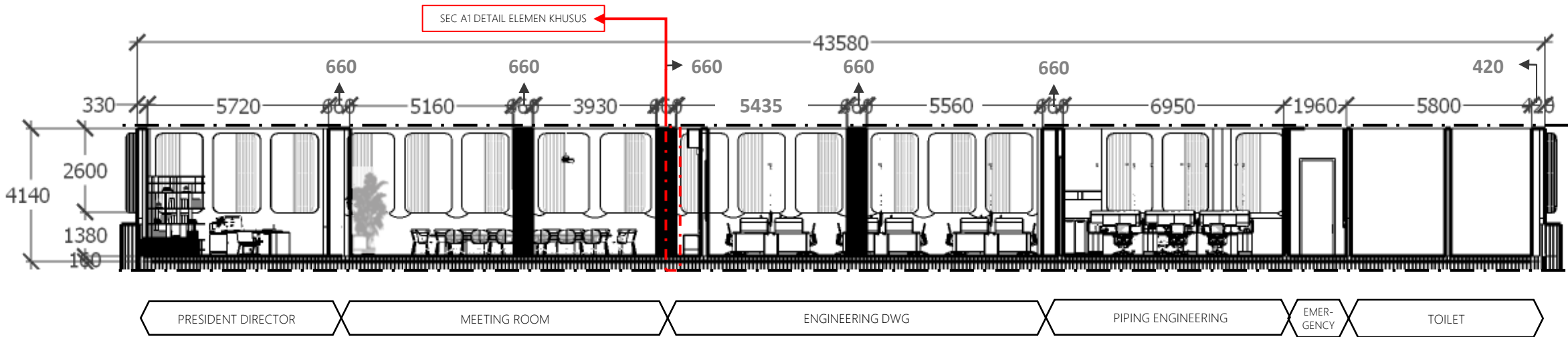
Octavianus Cahyono P. ST. M.Arch
NIP 19701017 200501 1 001

KODE KODE LEMBAR LEMBAR

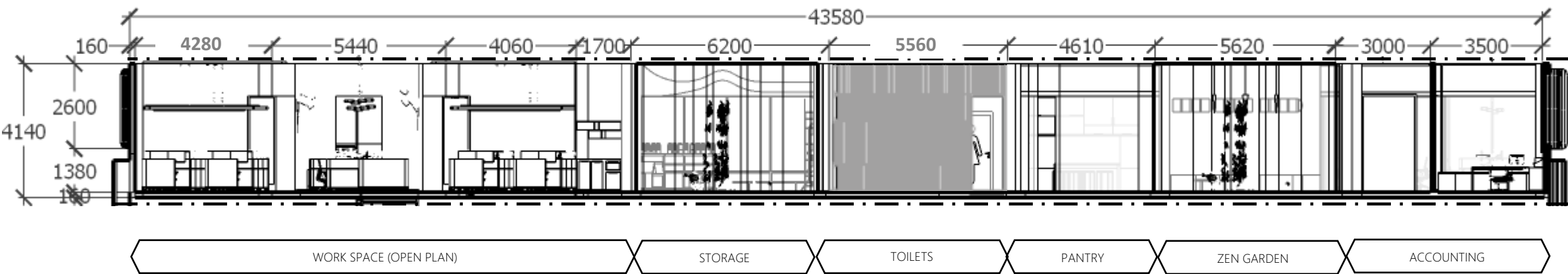
01

CATATAN

NILAI



SECTION A 2nd Floor
Scale 1 : 100



SECTION B 2nd Floor
Scale 1 : 100



FAKULTAS SENI RUPA
INSTITUT SENI INDONESIA
YOGYAKARTA

JURUSAN DESAIN

PROGRAM STUDI
DESAIN INTERIOR

TUGAS AKHIR
KARYA DESAIN

PERANCANGAN INTERIOR
PT. NIPPON STEEL AND SUMIKIN
BATAM
KEPULAUAN RIAU

GAMBAR SKALA

DETAIL ELEMEN
KHUSUS 1 : 50

NAMA / NIM

BELLA AGNESYA DWITA P. - 161 0175 123

DOSEN PEMBIMBING

M. Sholahuddin, S.Sn. M.Ds
NIP 19701019 199903 1 001

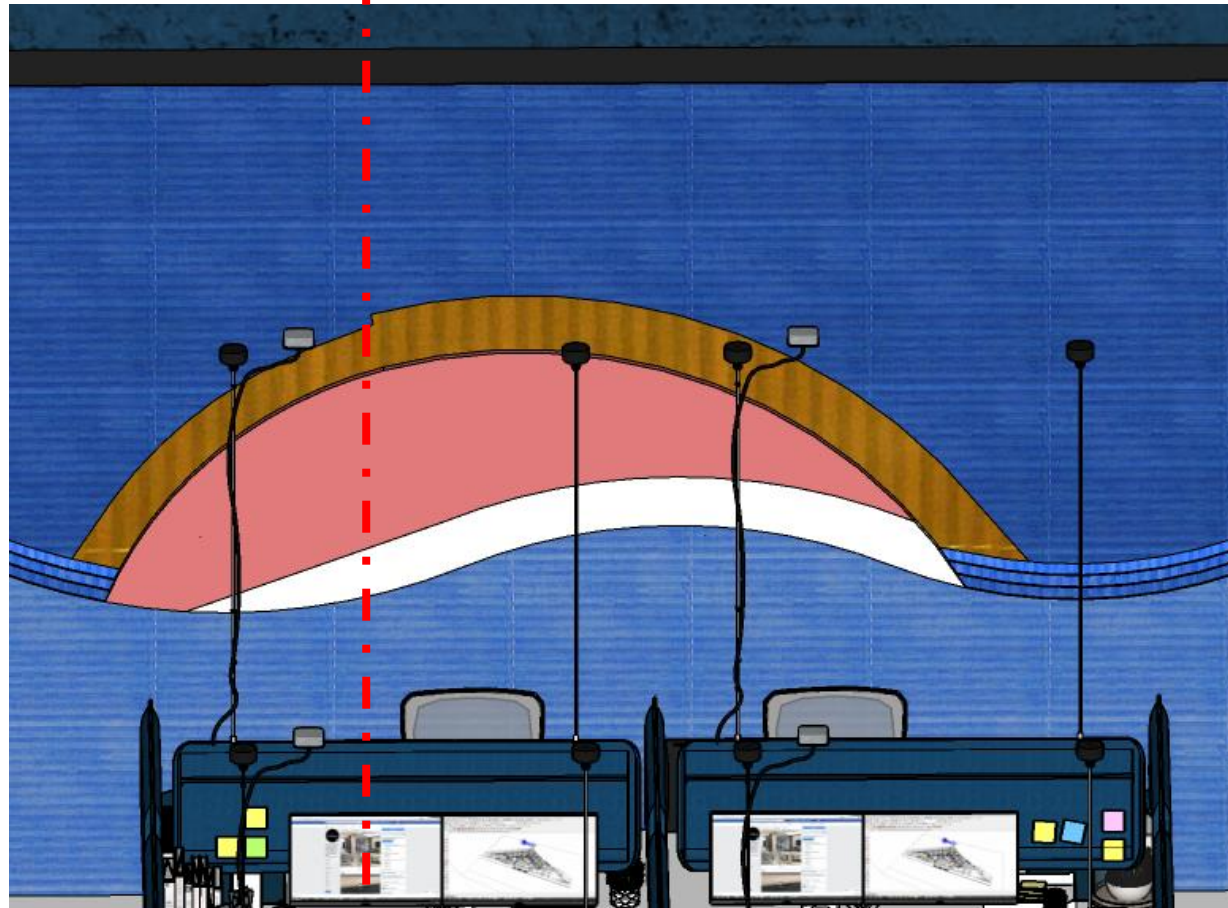
Octavianus Cahyono P. ST. M.Arch
NIP 19701017 200501 1 001

KODE	KODE LEMBAR	LEMBAR KE
		01

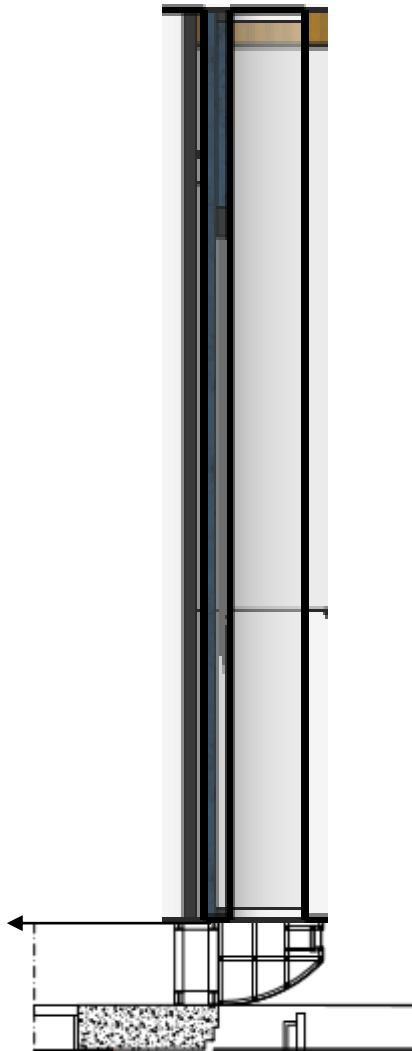
CATATAN

NILAI

SEC A1 DETAIL ELEMEN KHUSUS



Metal Structure + Kalsi Clad 10
Fin. Paint Textured ex. Dulux
color: White Doff



SECTION A1
Detail Elemen Khusus



FAKULTAS SENI RUPA
INSTITUT SENI INDONESIA
YOGYAKARTA

JURUSAN DESAIN

PROGRAM STUDI
DESAIN INTERIOR

TUGAS AKHIR
KARYA DESAIN

PERANCANGAN INTERIOR
PT. NIPPON STEEL AND SUMIKIN
BATAM
KEPULAUAN RIAU

GAMBAR

SKALA

POTONGAN
C & D

1 : 100

NAMA / NIM

BELLA AGNESYA DWITA P. - 161 0175 123

DOSEN PEMBIMBING

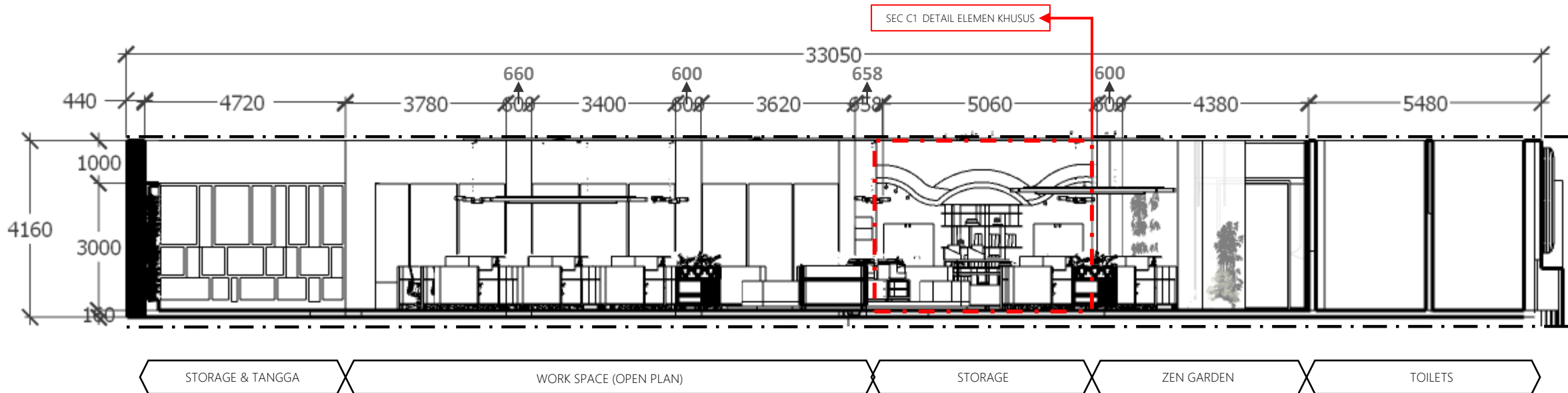
M. Sholahuddin, S.Sn. M.Ds
NIP 19701019 199903 1 001

Octavianus Cahyono P. ST. M.Arch
NIP 19701017 200501 1 001

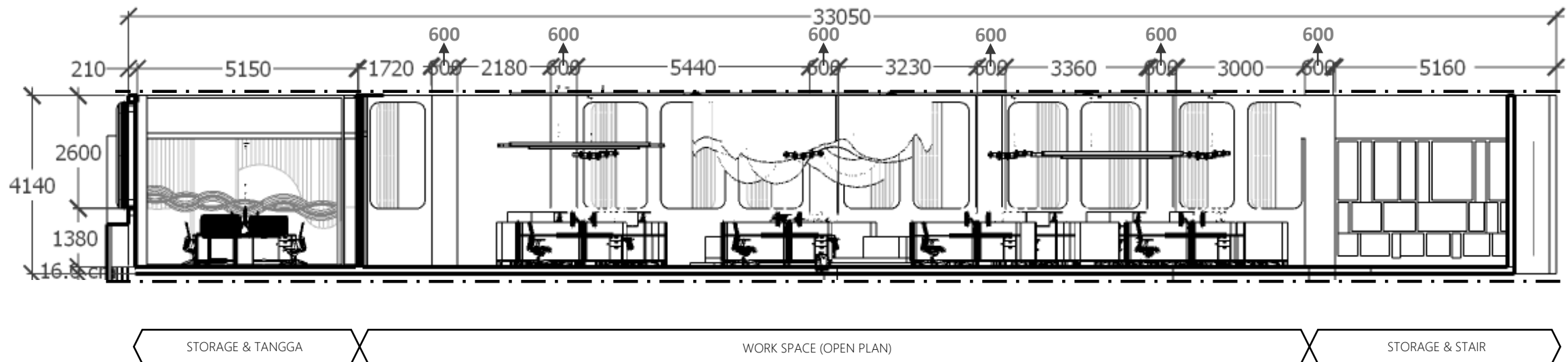
KODE	KODE LEMBAR	LEMBAR KE
		01

CATATAN

NILAI



SECTION C 2nd Floor
Scale 1 : 100



SECTION D 2nd Floor
Scale 1 : 100



FAKULTAS SENI RUPA
INSTITUT SENI INDONESIA
YOGYAKARTA

JURUSAN DESAIN

PROGRAM STUDI
DESAIN INTERIOR

TUGAS AKHIR
KARYA DESAIN

PERANCANGAN INTERIOR
PT. NIPPON STEEL AND SUMIKIN
BATAM
KEPULAUAN RIAU

GAMBAR SKALA

DETAIL ELEMEN
KHUSUS 1 : 50

NAMA / NIM

BELLA AGNESYA DWITA P. - 161 0175 123

DOSEN PEMBIMBING

M. Sholahuddin, S.Sn. M.Ds
NIP 19701019 199903 1 001

Octavianus Cahyono P. ST. M.Arch
NIP 19701017 200501 1 001

KODE	KODE LEMBAR	LEMBAR KE
		01

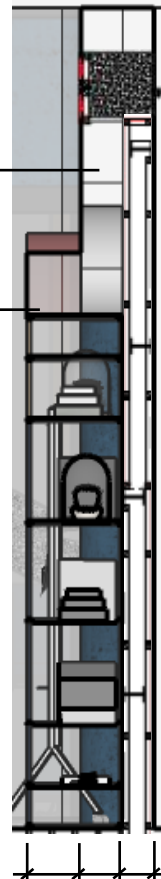
CATATAN

NILAI

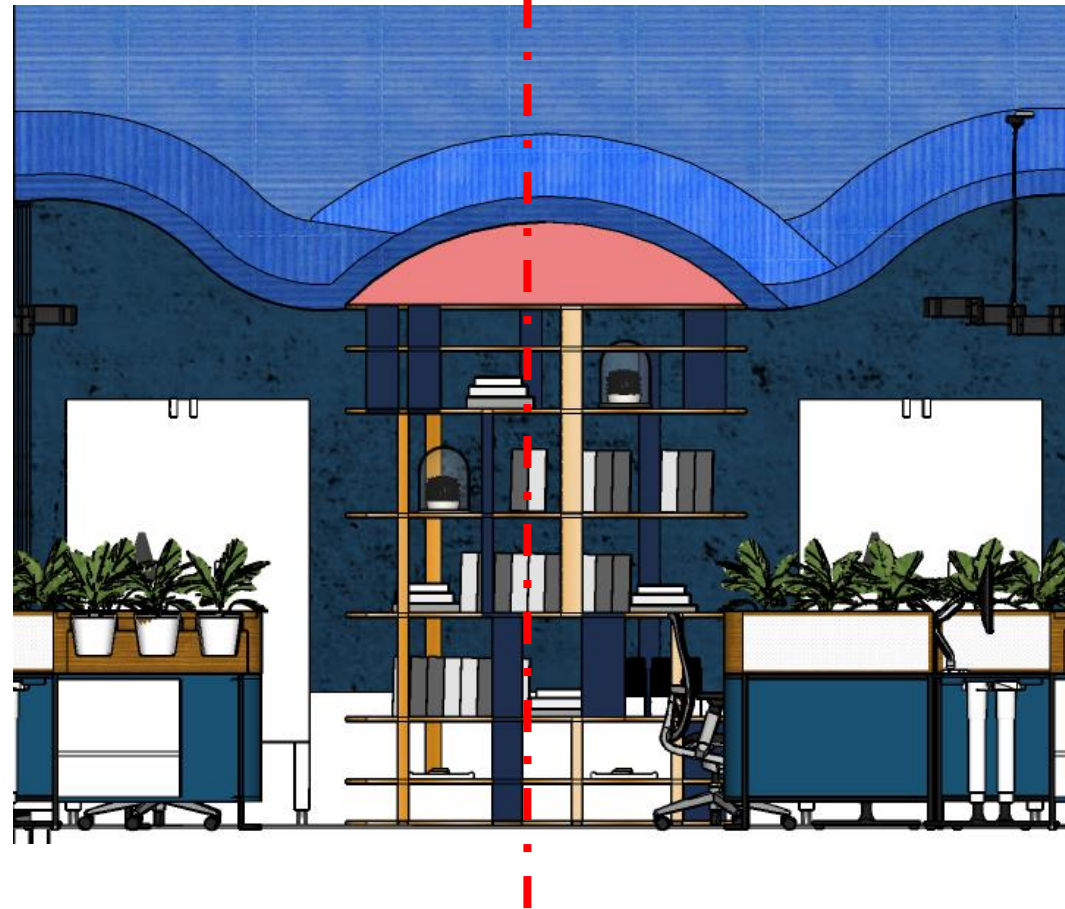
SEC C1 DETAIL ELEMEN KHUSUS

Blind Wood Light 5cm
gradasi blue colour
back off

Translution Glass Red 10cm



10cm 5cm 3cm



SECTION C1
Detail Elemen Khusus



FAKULTAS SENI RUPA
INSTITUT SENI INDONESIA
YOGYAKARTA

JURUSAN DESAIN

PROGRAM STUDI
DESAIN INTERIOR

TUGAS AKHIR
KARYA DESAIN

PERANCANGAN INTERIOR
PT. NIPPON STEEL AND SUMIKIN
BATAM
KEPULAUAN RIAU

GAMBAR SKALA

RENCANA PLAFON 1 : 100

NAMA / NIM

BELLA AGNESYA DWITA P. - 161 0175 123

DOSEN PEMBIMBING

M. Sholahuddin, S.Sn. M.Ds
NIP 19701019 199903 1 001

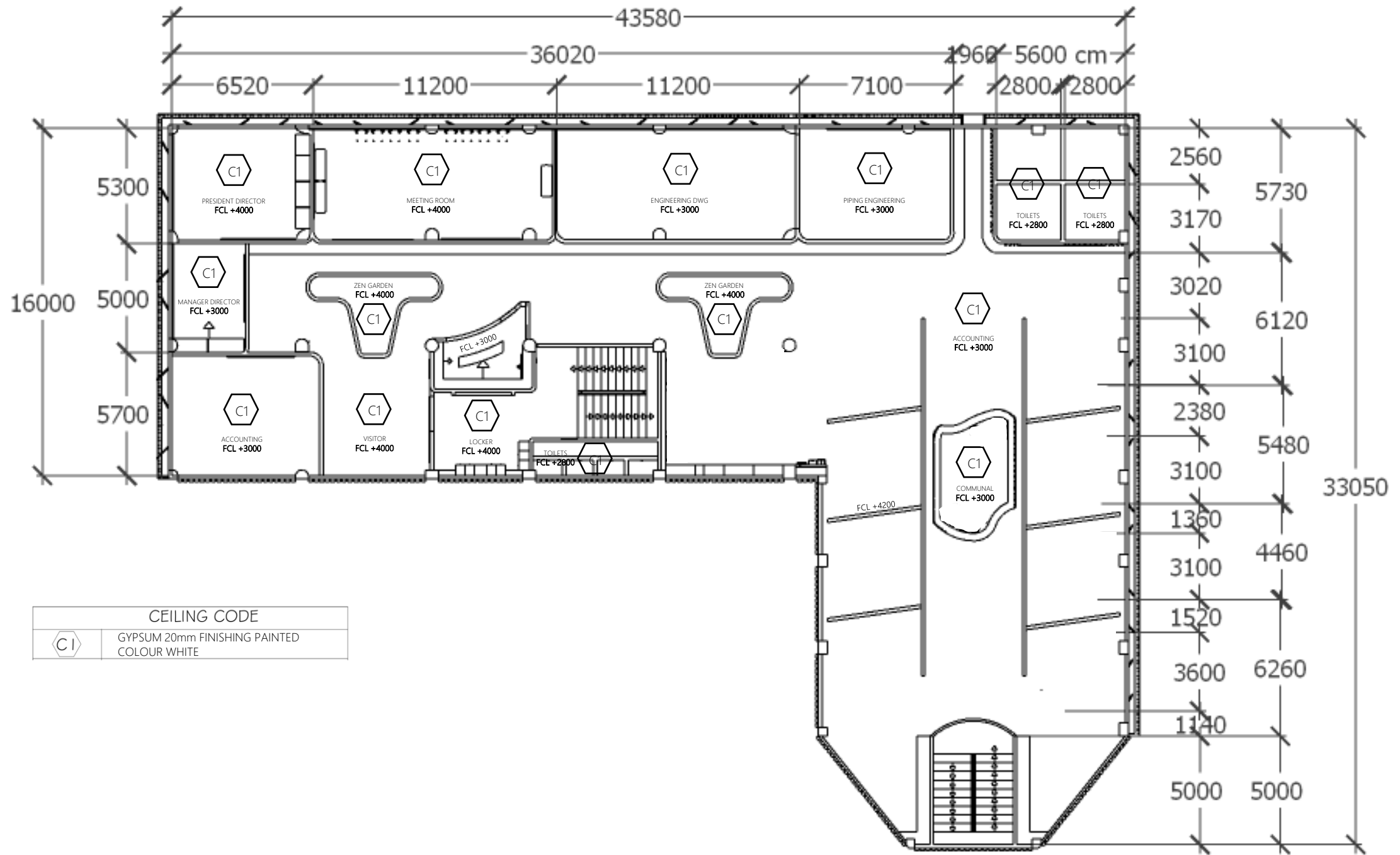
Octavianus Cahyono P. ST. M.Arch
NIP 19701017 200501 1 001

KODE KODE LEMBAR LEMBAR KE

01

CATATAN

NILAI



CEILING CODE



GYPSON 20mm FINISHING PAINTED
COLOUR WHITE



FAKULTAS SENI RUPA
INSTITUT SENI INDONESIA
YOGYAKARTA

JURUSAN DESAIN

PROGRAM STUDI
DESAIN INTERIOR

TUGAS AKHIR
KARYA DESAIN

PERANCANGAN INTERIOR
PT. NIPPON STEEL AND SUMIKIN
BATAM
KEPULAUAN RIAU

GAMBAR SKALA

LIGHTING 1 : 100

NAMA / NIM

BELLA AGNESYA DWITA P. - 161 0175 123

DOSEN PEMBIMBING

M. Sholahuddin, S.Sn. M.Ds
NIP 19701019 199903 1 001

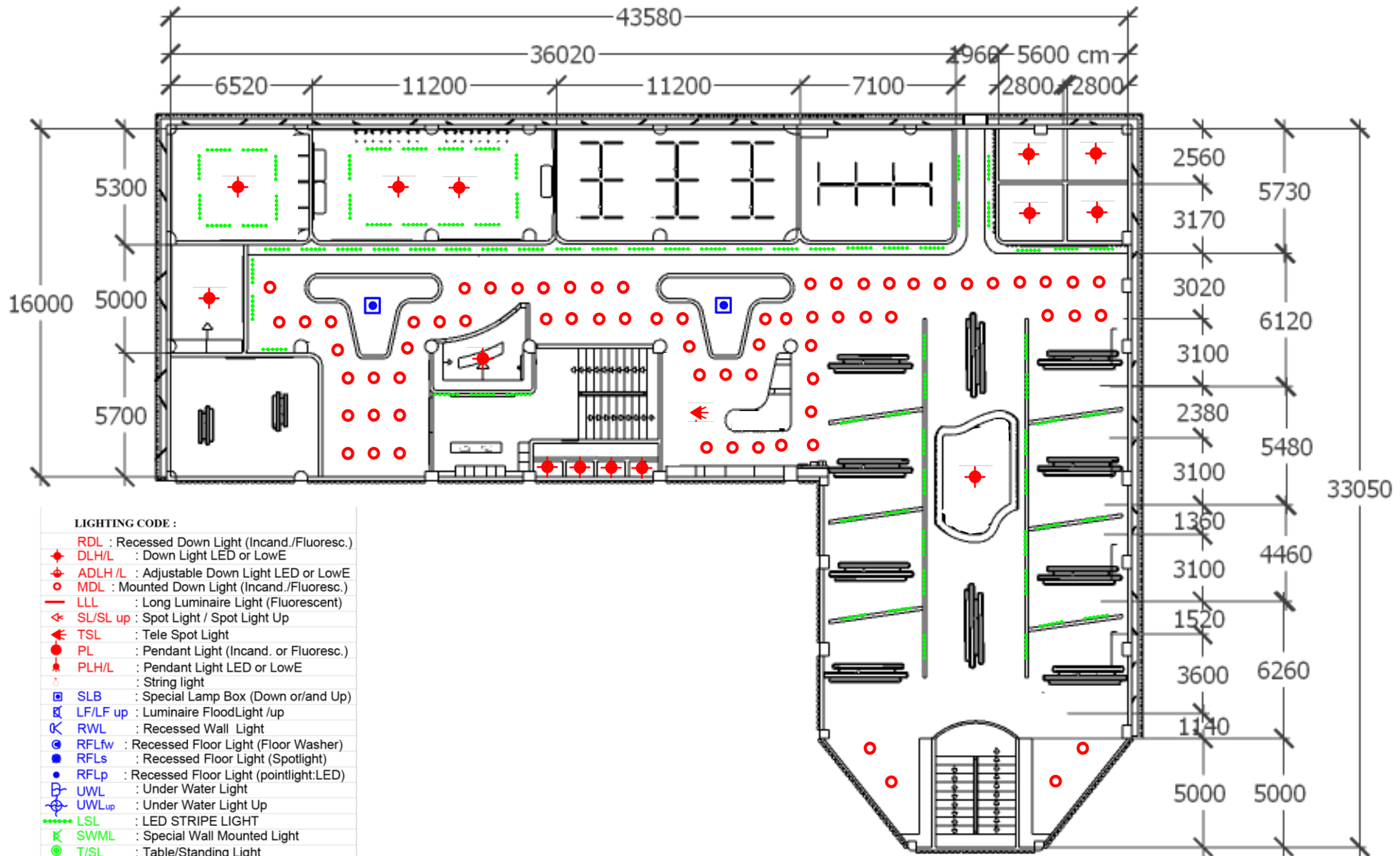
Octavianus Cahyono P. ST. M.Arch
NIP 19701017 200501 1 001

KODE KODE LEMBAR LEMBAR KE

01

CATATAN

NILAI



LIGHTING CODE :

- ◆ RDL : Recessed Down Light (Incand./Fluoresc.)
- ◆ DLH/L : Down Light LED or LowE
- ◆ ADLH/L : Adjustable Down Light LED or LowE
- MDL : Mounted Down Light (Incand./Fluoresc.)
- LLL : Long Luminaire Light (Fluorescent)
- ◀ SL/SL up : Spot Light / Spot Light Up
- ◀ TSL : Tele Spot Light
- PL : Pendant Light (Incand. or Fluoresc.)
- PLH/L : Pendant Light LED or LowE
- : String light
- ◻ SLB : Special Lamp Box (Down or/and Up)
- ◻ LF/LF up : Luminaire FloodLight /up
- ◻ RWL : Recessed Wall Light
- RFLfw : Recessed Floor Light (Floor Washer)
- RFLs : Recessed Floor Light (Spotlight)
- RFLp : Recessed Floor Light (pointlight:LED)
- ◻ UWL : Under Water Light
- ◻ UWLup : Under Water Light Up
- LSL : LED STRIPE LIGHT
- ◻ SWML : Special Wall Mounted Light
- T/SL : Table/Standing Light
- HSLC : Hanging Sky Light Custom

OTHER CODE :

- COLOR OF CEILING LIGHTING
- COLOR OF GROUND/FLOOR
- COLOR OF FURNITURE LIGHTING



FAKULTAS SENI RUPA
INSTITUT SENI INDONESIA
YOGYAKARTA

JURUSAN DESAIN

PROGRAM STUDI
DESAIN INTERIOR

TUGAS AKHIR
KARYA DESAIN

PERANCANGAN INTERIOR
PT. NIPPON STEEL AND SUMIKIN
BATAM
KEPULAUAN RIAU

GAMBAR SKALA

ME 1 : 100

NAMA / NIM

BELLA AGNESYA DWITA P. - 161 0175 123

DOSEN PEMBIMBING

M. Sholahuddin, S.Sn. M.Ds
NIP 19701019 199903 1 001

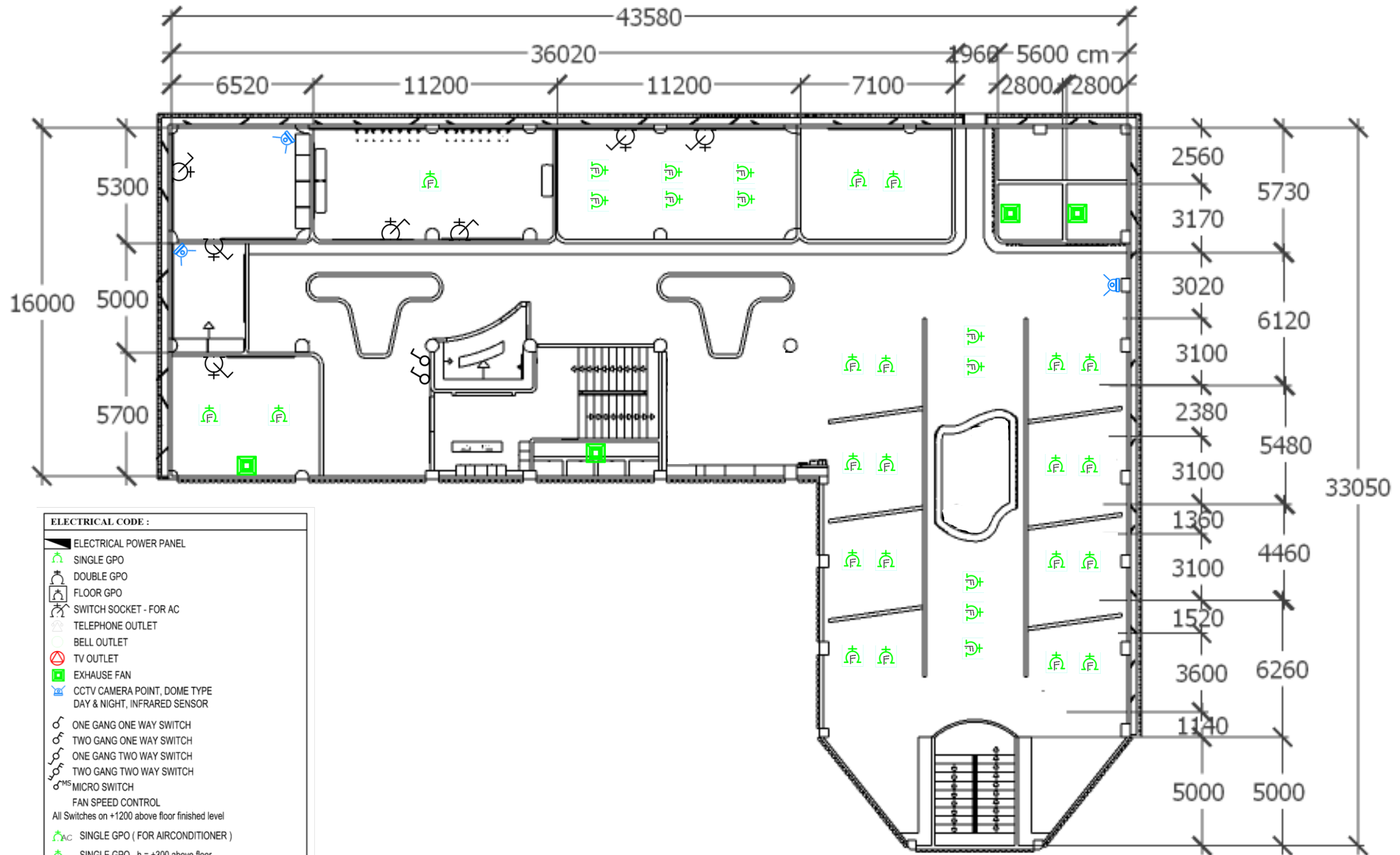
Octavianus Cahyono P. ST. M.Arch
NIP 19701017 200501 1 001

KODE KODE LEMBAR LEMBAR KE

01

CATATAN

NILAI

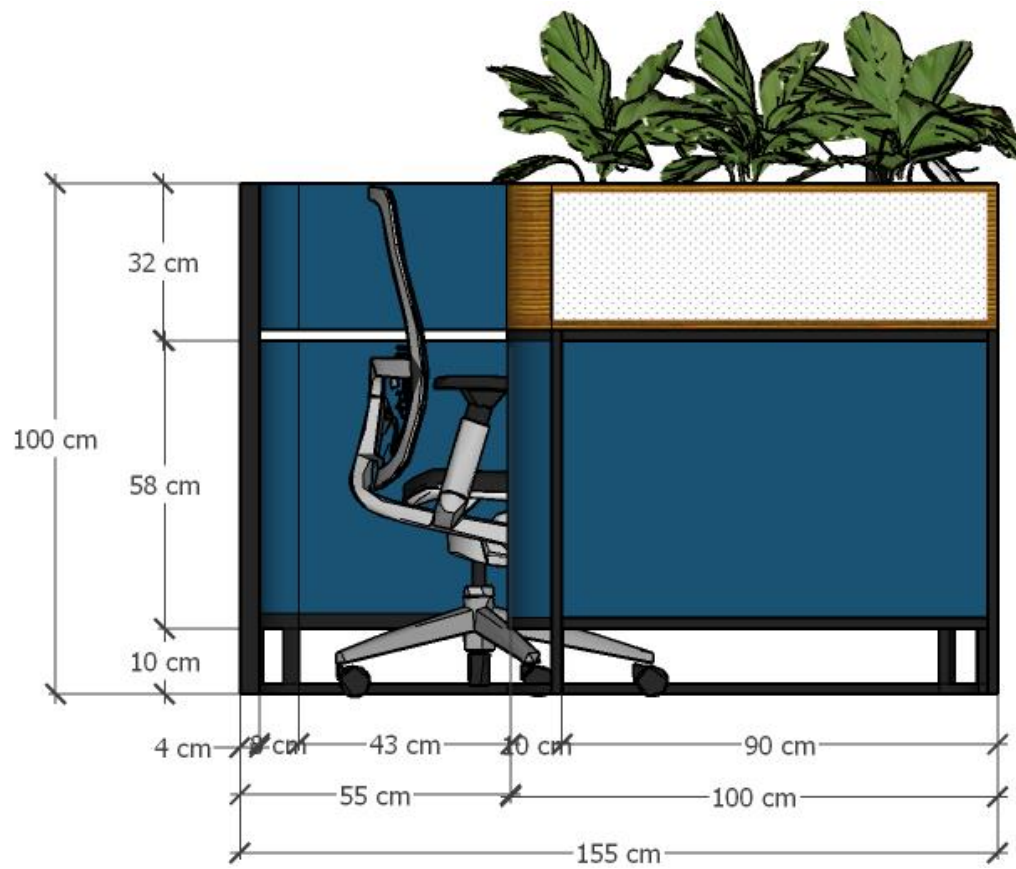


ELECTRICAL CODE :

- ELECTRICAL POWER PANEL
- SINGLE GPO
- DOUBLE GPO
- FLOOR GPO
- SWITCH SOCKET - FOR AC
- TELEPHONE OUTLET
- BELL OUTLET
- TV OUTLET
- EXHAUSE FAN
- CCTV CAMERA POINT, DOME TYPE
- DAY & NIGHT, INFRARED SENSOR
- ONE GANG ONE WAY SWITCH
- TWO GANG ONE WAY SWITCH
- ONE GANG TWO WAY SWITCH
- TWO GANG TWO WAY SWITCH
- MICRO SWITCH
- FAN SPEED CONTROL

All Switches on +1200 above floor finished level

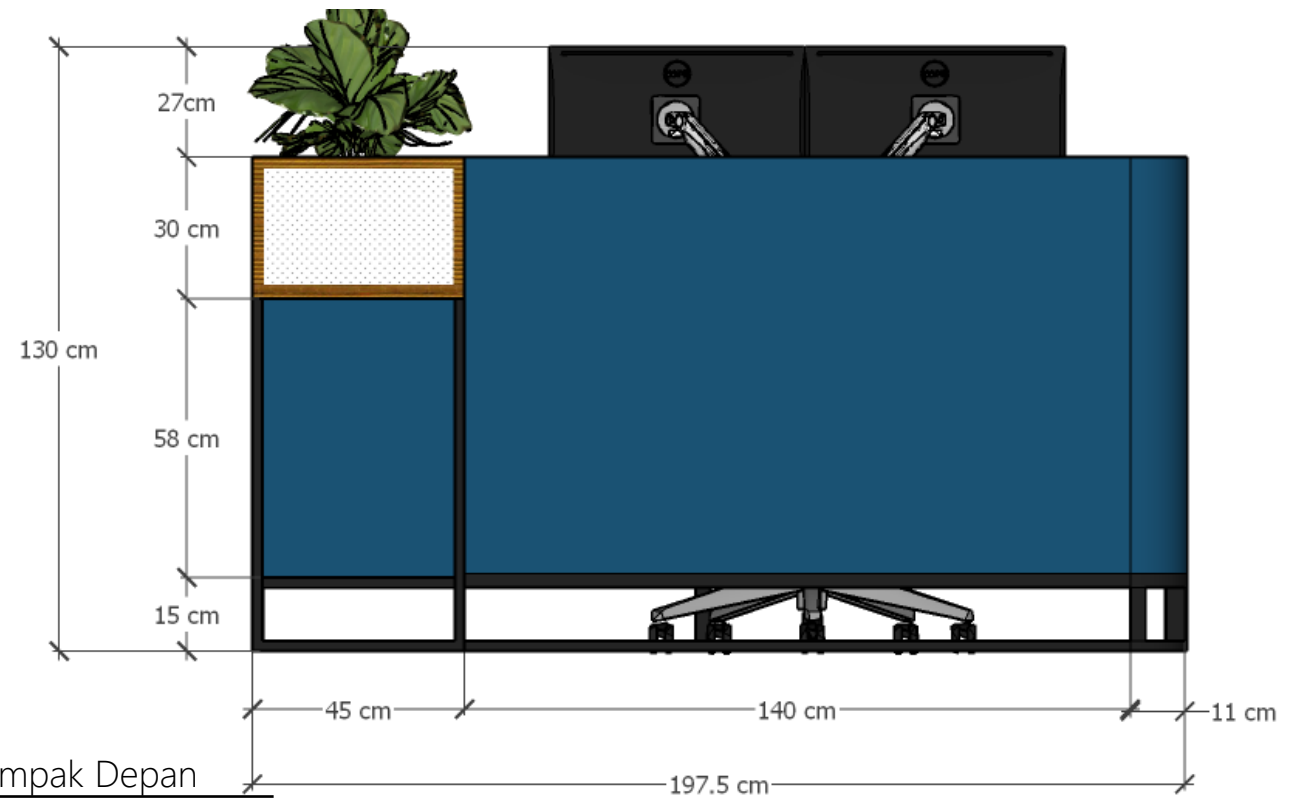
- SINGLE GPO (FOR AIRCONDITIONER)
- SINGLE GPO - h = +300 above floor
- SINGLE GPO - h = +600 above floor
- SINGLE GPO - h = +1000 above floor
- SINGLE GPO - h = +1200 above floor
- SINGLE GPO - h = +2500 above floor
- SINGLE GPO - On Floor Position



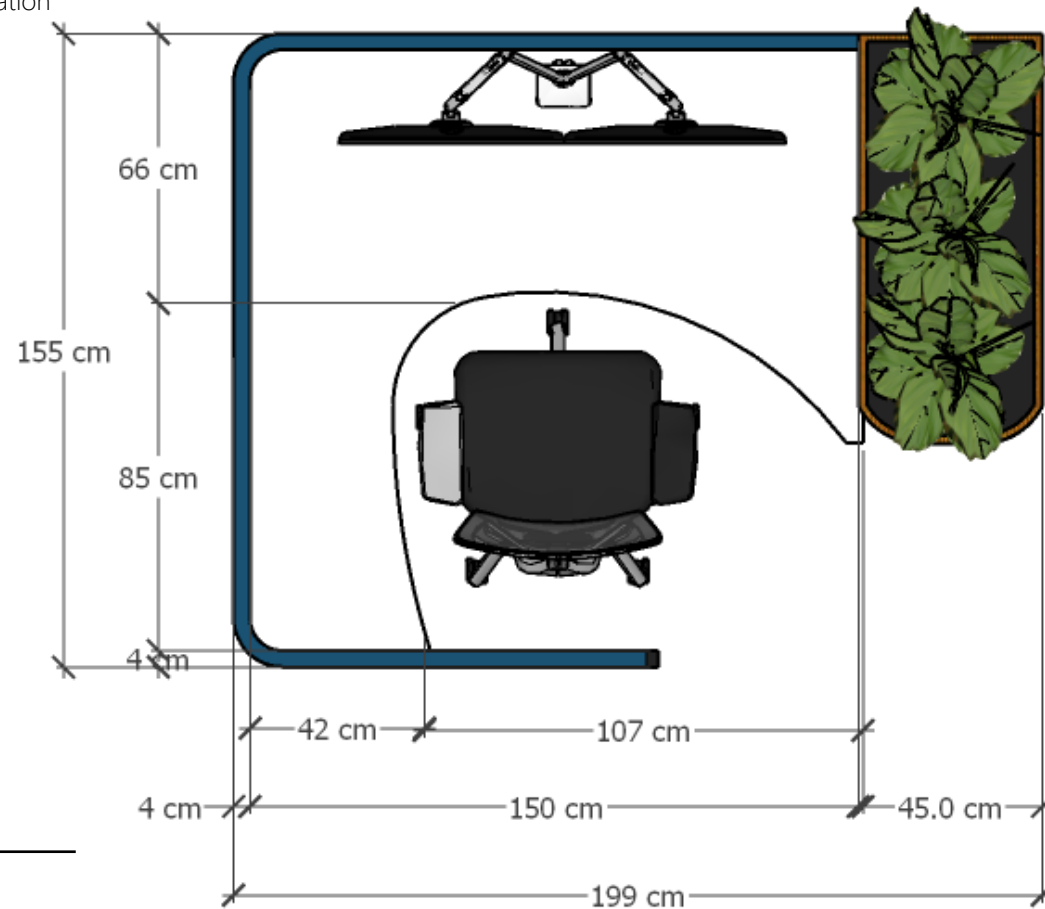
Tampak Samping
Linear Configuration



Perspektif
Linear Configuration



Tampak Depan
Linear Configuration



Tampak Atas
Linear Configuration



FAKULTAS SENI RUPA
INSTITUT SENI INDONESIA
YOGYAKARTA

JURUSAN DESAIN

PROGRAM STUDI
DESAIN INTERIOR

TUGAS AKHIR
KARYA DESAIN

PERANCANGAN INTERIOR
PT. NIPPON STEEL AND SUMIKIN
BATAM
KEPULAUAN RIAU

GAMBAR SKALA

FURNITURE
CUSTOM 1 : 50

NAMA / NIM

BELLA AGNESYA DWITA P. - 161 0175 123

DOSEN PEMBIMBING

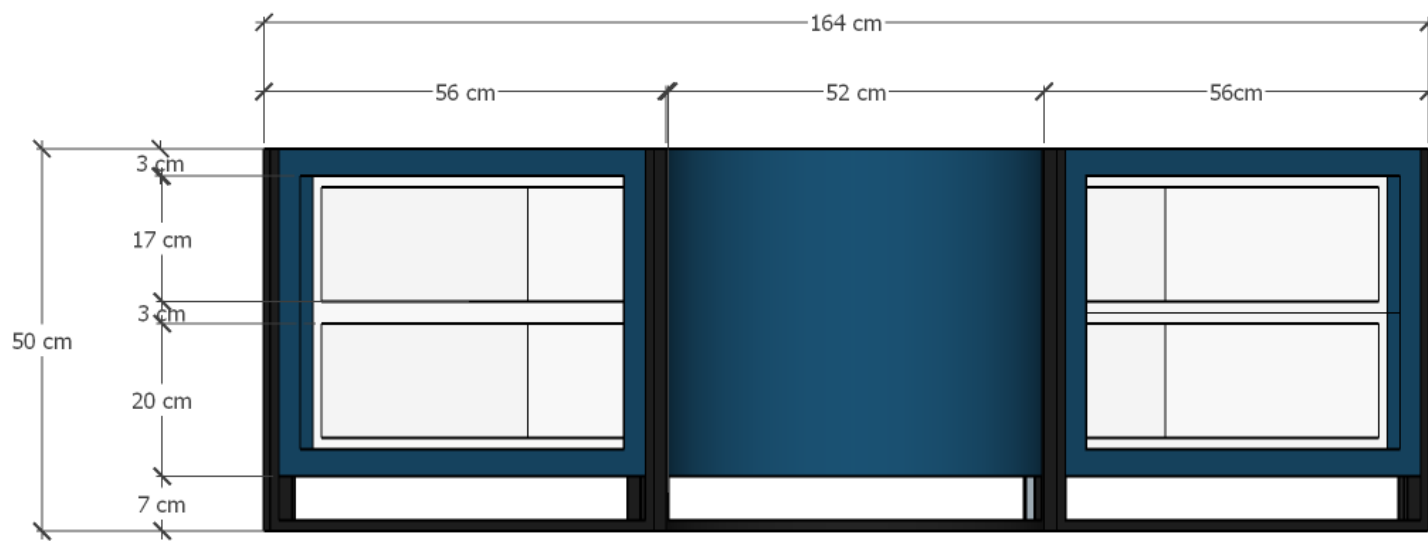
M. Sholahuddin, S.Sn. M.Ds
NIP 19701019 199903 1 001

Octavianus Cahyono P. ST. M.Arch
NIP 19701017 200501 1 001

KODE	KODE LEMBAR	LEMBAR KE
		01

CATATAN

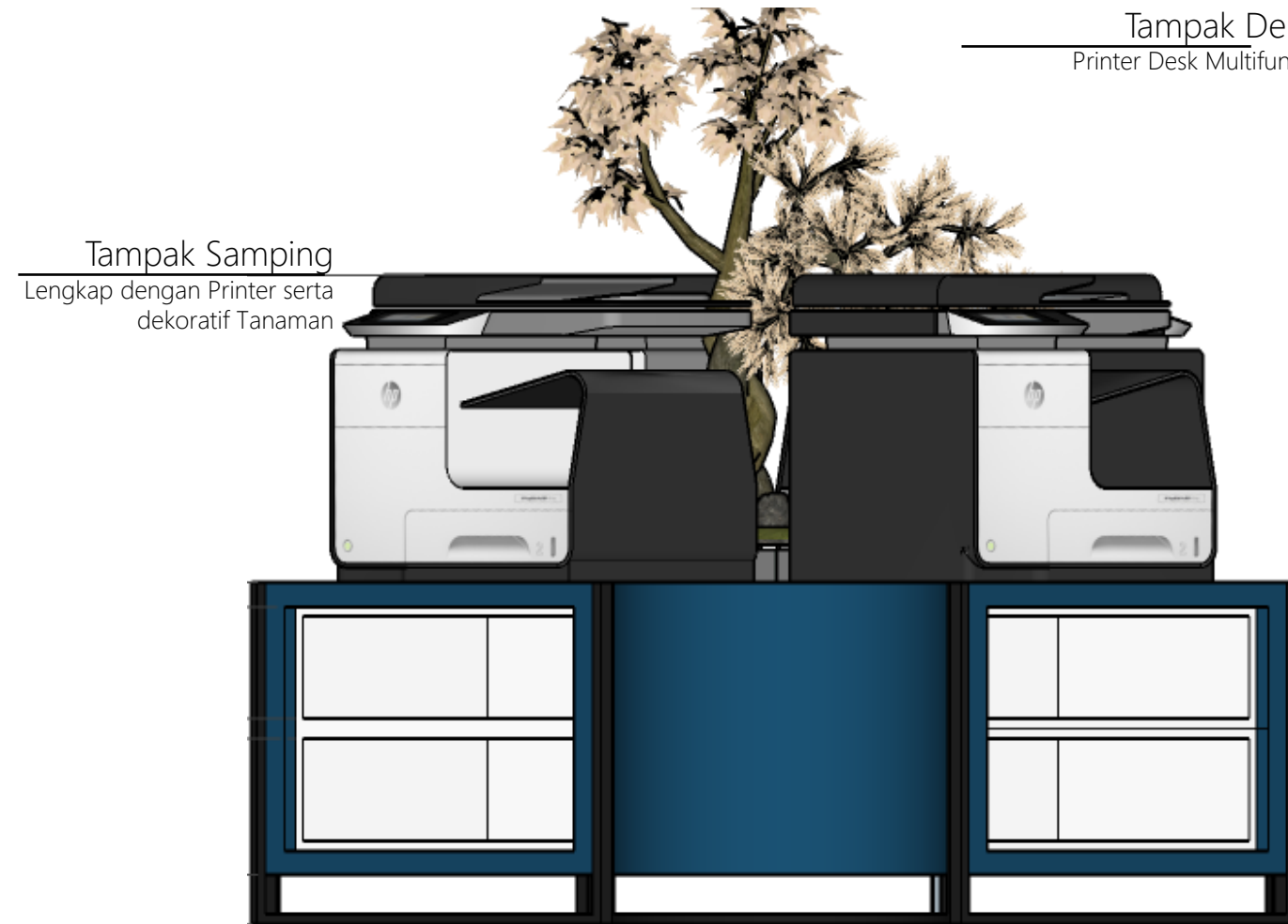
NILAI



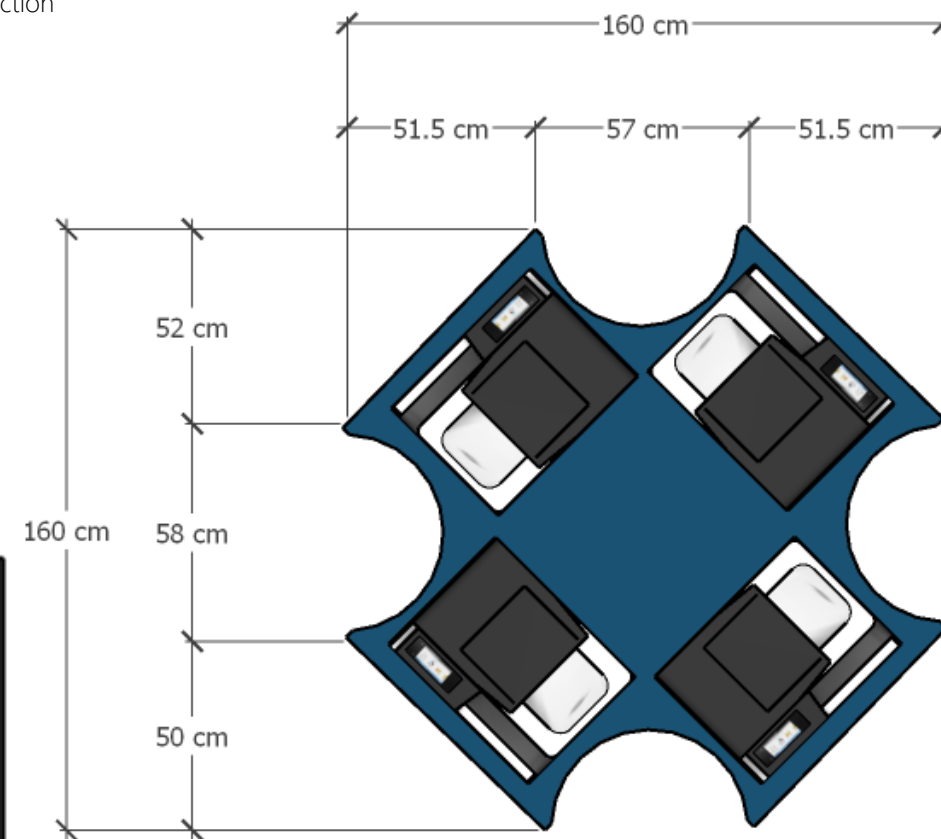
Tampak Depan
Printer Desk Multifunction



Perspektif
Printer Desk Multifunction



Tampak Samping
Lengkap dengan Printer serta
dekoratif Tanaman



Tampak Atas
Printer Desk Multifunction



FAKULTAS SENI RUPA
INSTITUT SENI INDONESIA
YOGYAKARTA

JURUSAN DESAIN

PROGRAM STUDI
DESAIN INTERIOR

TUGAS AKHIR
KARYA DESAIN

PERANCANGAN INTERIOR
PT. NIPPON STEEL AND SUMIKIN
BATAM
KEPULAUAN RIAU

GAMBAR	SKALA
FURNITURE CUSTOM	1 : 50

NAMA / NIM
BELLA AGNESYA DWITA P. - 161 0175 123

DOSEN PEMBIMBING
M. Sholahuddin, S.Sn. M.Ds
NIP 19701019 199903 1 001

Octavianus Cahyono P. ST. M.Arch
NIP 19701017 200501 1 001

KODE	KODE LEMBAR	LEMBAR KE
		01

CATATAN

NILAI



FAKULTAS SENI RUPA
INSTITUT SENI INDONESIA
YOGYAKARTA

JURUSAN DESAIN

PROGRAM STUDI
DESAIN INTERIOR

TUGAS AKHIR
KARYA DESAIN

PERANCANGAN INTERIOR
PT. NIPPON STEEL AND SUMIKIN
BATAM
KEPULAUAN RIAU

GAMBAR

SKALA

FURNITURE
CUSTOM

1 : 50

NAMA / NIM

BELLA AGNESYA DWITA P. - 161 0175 123

DOSEN PEMBIMBING

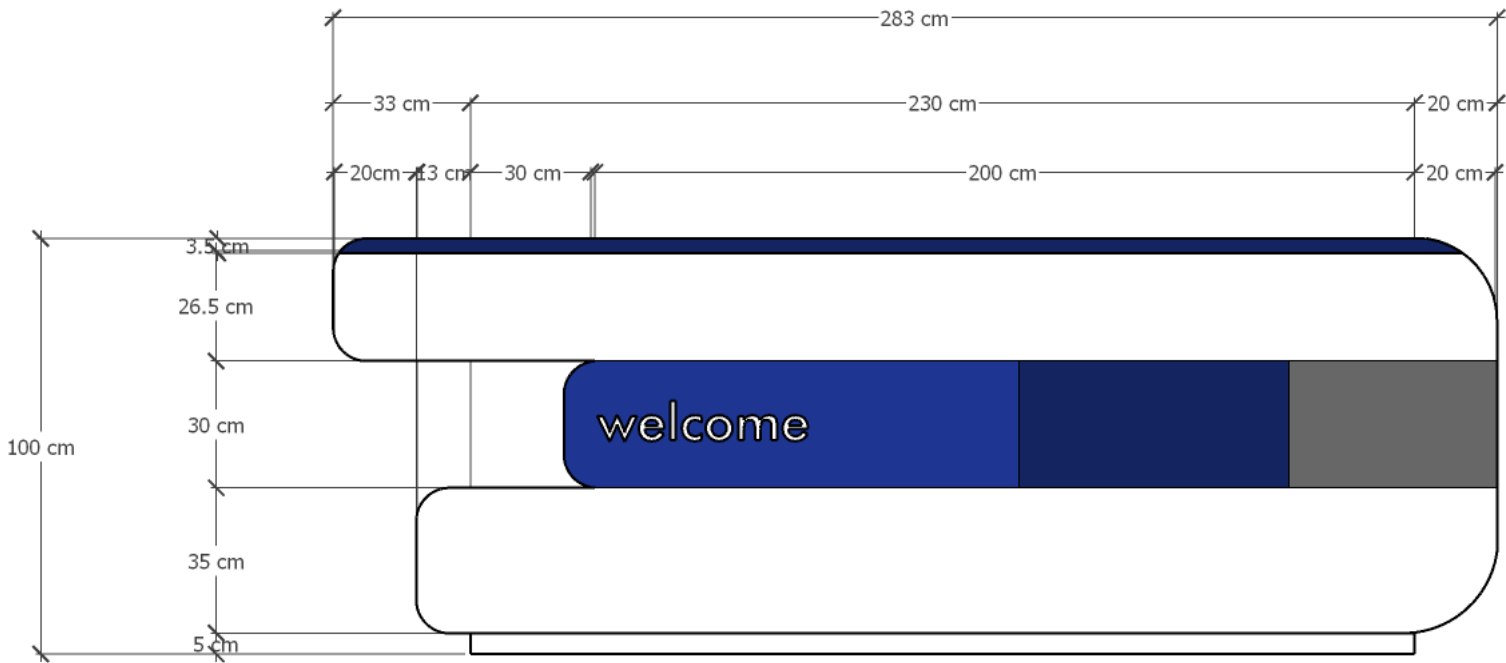
M. Sholahuddin, S.Sn. M.Ds
NIP 19701019 199903 1 001

Octavianus Cahyono P. ST. M.Arch
NIP 19701017 200501 1 001

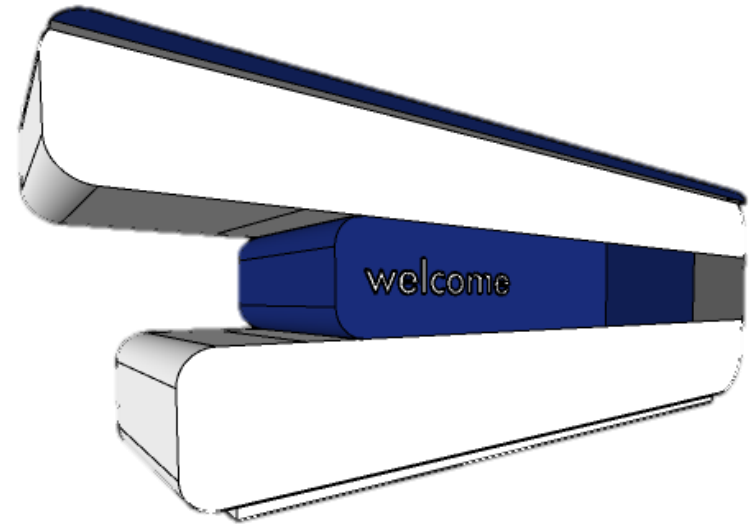
KODE	KODE LEMBAR	LEMBAR KE
		01

CATATAN

NILAI



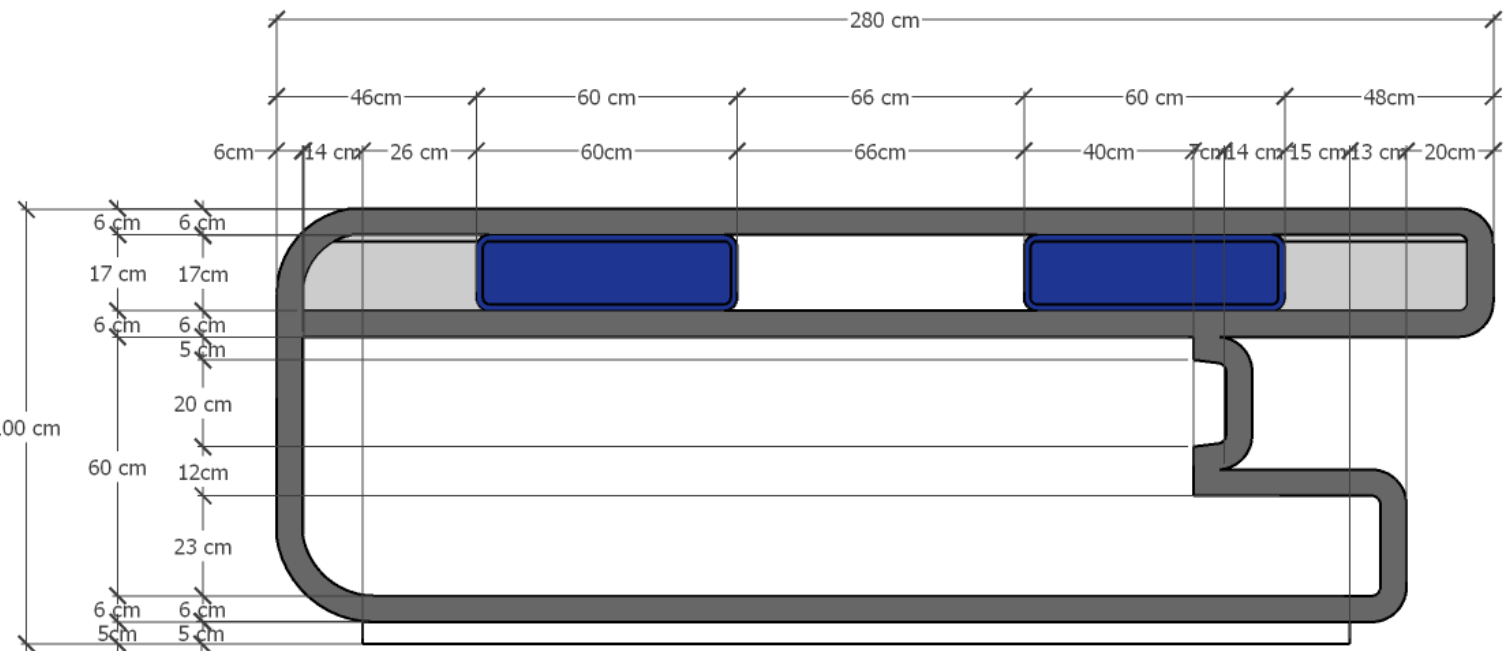
Tampak Depan
Receptionist Table



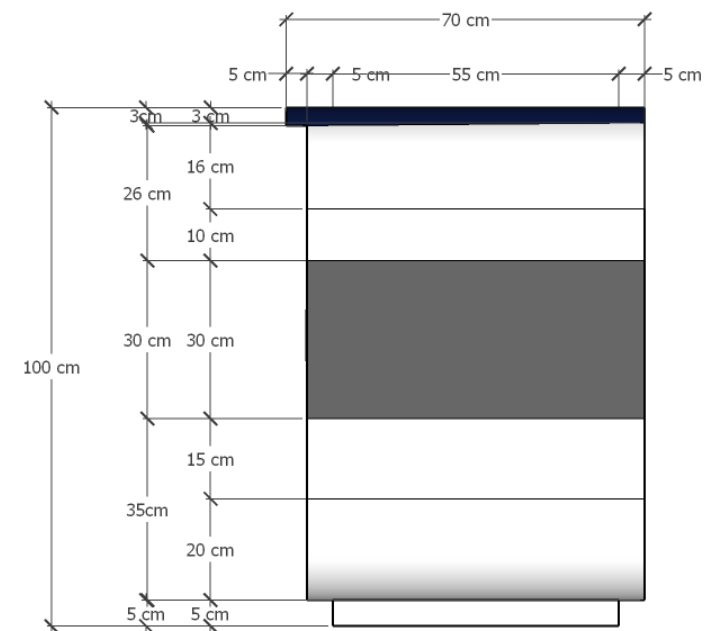
Perspektif
Receptionist Table



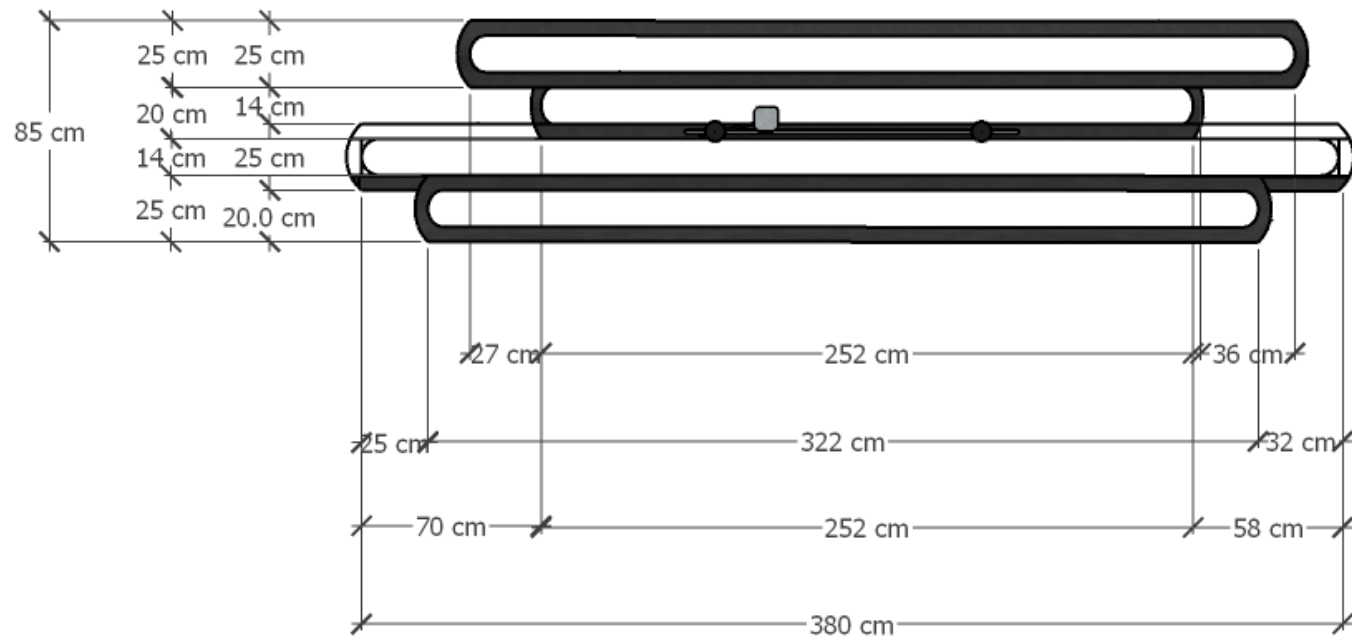
Diambil dari stilasi symbol awan pada lukisan kuno jepang



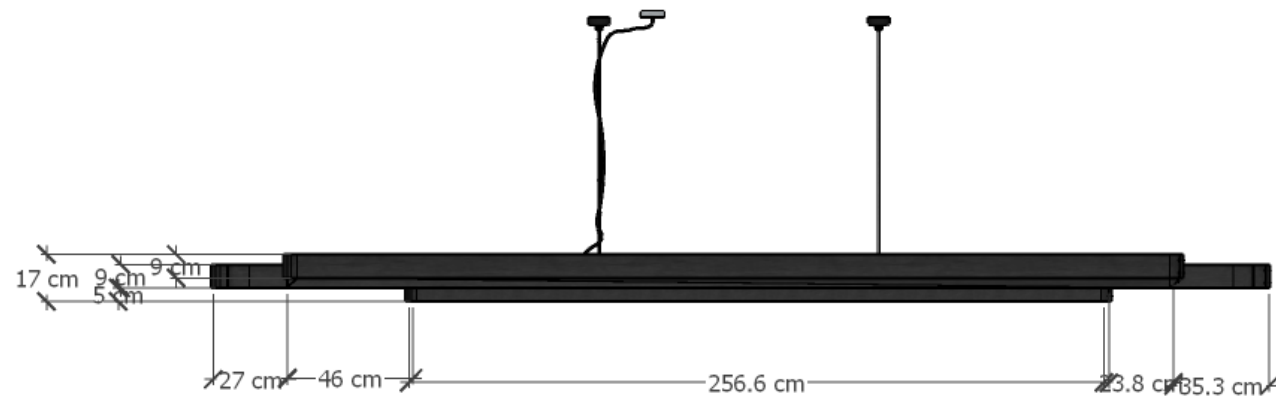
Tampak Belakang
Linear Configuration



Tampak Samping
Linear Configuration



Tampak Atas
Hanging sky light



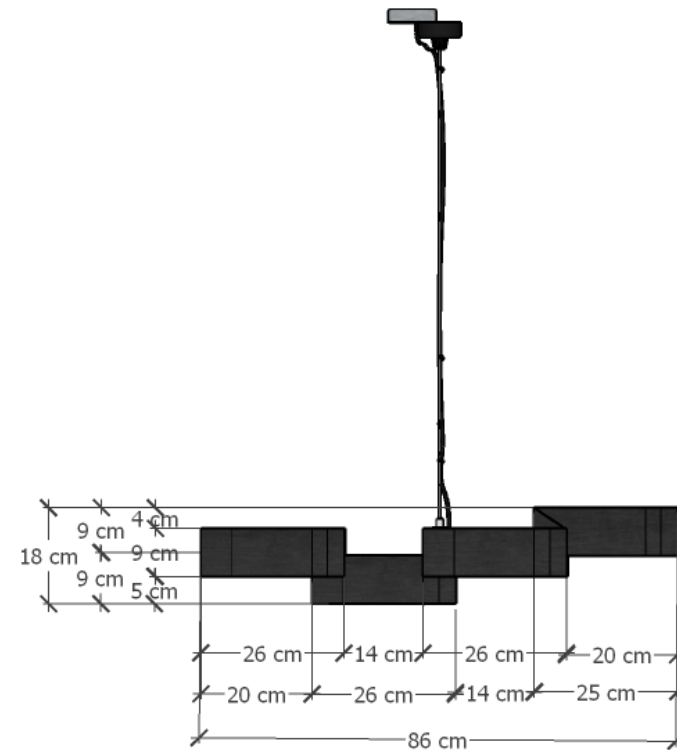
Tampak Depan
Hanging sky light



Perspektif
Hanging sky light



Diambil dari stilasi symbol awan pada lukisan kuno jepang



Tampak samping 1:100
Hanging sky light



FAKULTAS SENI RUPA
INSTITUT SENI INDONESIA
YOGYAKARTA

JURUSAN DESAIN

PROGRAM STUDI
DESAIN INTERIOR

TUGAS AKHIR
KARYA DESAIN

PERANCANGAN INTERIOR
PT. NIPPON STEEL AND SUMIKIN
BATAM
KEPULAUAN RIAU

GAMBAR SKALA

FURNITURE
CUSTOM 1 : 50

NAMA / NIM

BELLA AGNESYA DWITA P. - 161 0175 123

DOSEN PEMBIMBING

M. Sholahuddin, S.Sn. M.Ds
NIP 19701019 199903 1 001

Octavianus Cahyono P. ST. M.Arch
NIP 19701017 200501 1 001

KODE KODE LEMBAR LEMBAR KE

01

CATATAN

NILAI